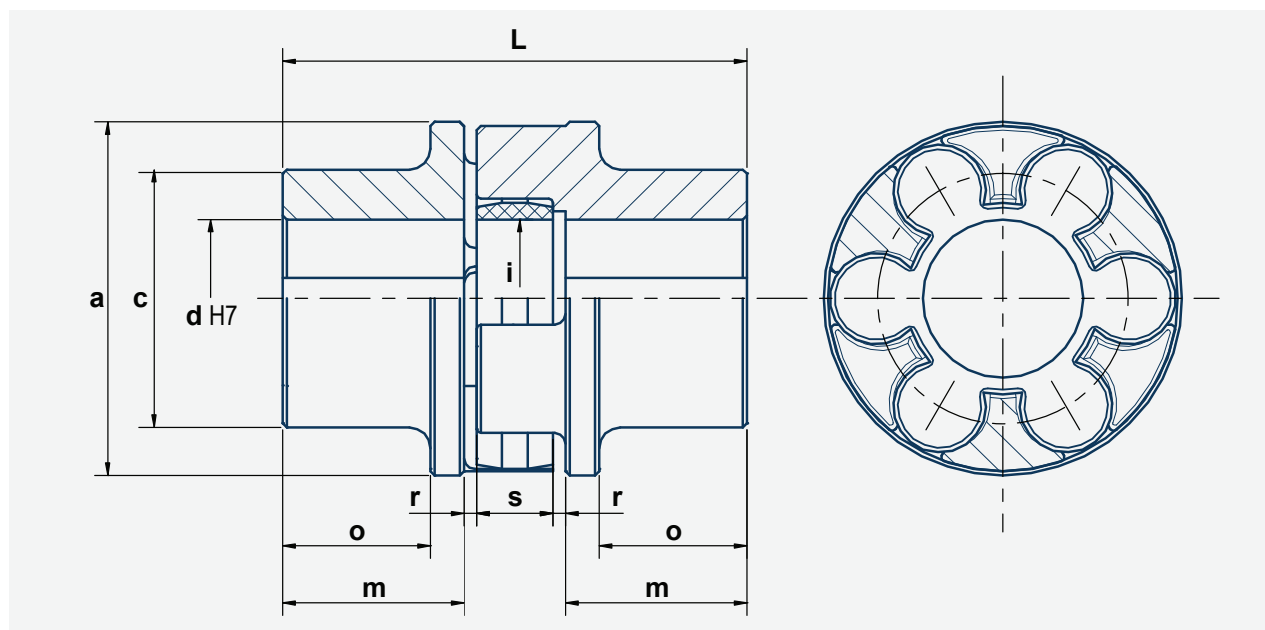


SDW / SVW flexible couplings

Technical data

- Rubber element V
- Rubber element D
(specify type of rubber element with order)
- Working temperature : -25°C to +80°C

Option:
 Long hub (motor or/and gearbox side)
 Short hub (motor or/and gearbox side)
 Consult us.



Coupling size SDW- / SVW-		85	100	125	145	170	200	230	260	300	400	
Insert n°	SVW	85V	100V	125V	145V	170V	200V	230V	260V	300V	400V	
	SDW	85D	100D	125D	145D	170D	200D	230D	260D	300D	400D	
Qty of cams		6	6	6	6	8	8	10	10	10	14	
Nominal torque T _{CN}	SVW Nm	90	150	250	420	670	1160	1800	2800	4160	9400	
	SDW Nm	140	240	440	720	1140	1980	3090	4780	7020	16020	
Max. torque T _{Cmax}	SVW Nm	220	360	630	1050	1660	2880	4500	7200	10400	23400	
	SDW Nm	350	610	1110	1800	2850	4950	7740	11940	17550	40050	
Max. r.p.m.		tr/mn	7000	5600	5000	5000	4000	3600	3200	2500	2000	1750
Mass moment of inertia		kgm ²	0,002	0,005	0,010	0,021	0,047	0,108	0,195	0,385	0,735	1,852
Weight		kg	2,5	4,5	7	9,5	16	27,5	40	57	84	133
Diameters	a	mm	85	105	126	145	170	200	230	260	300	400
	c	mm	62	72	88	90	112	125	140	150	200	225
	d pilot bored.	mm	-	15	20	20	25	25	35	35	40	40
	d max.	mm	42	48	60	65	75	90	100	105	140	160
	i	mm	38	46	56	63	90	102	117	140	162	250
Lengths	L	mm	110	125	145	160	190	245	270	285	330	400
	m	mm	43	49	56	60,5	74,5	98,5	110	112,5	131,5	163,5
	o	mm	35	37,5	44	46,5	56,5	77,5	87	87,5	106,5	127,5
	s	mm	18	20	25	30	30	35	35	45	50	55
	r	mm	3	3,5	4	4,5	5,5	6,5	7,5	7,5	8,5	9

Due to continuous development and improvement, all dimensions and characteristics are subject to change without notice.

26/06/18

T10156-01-A